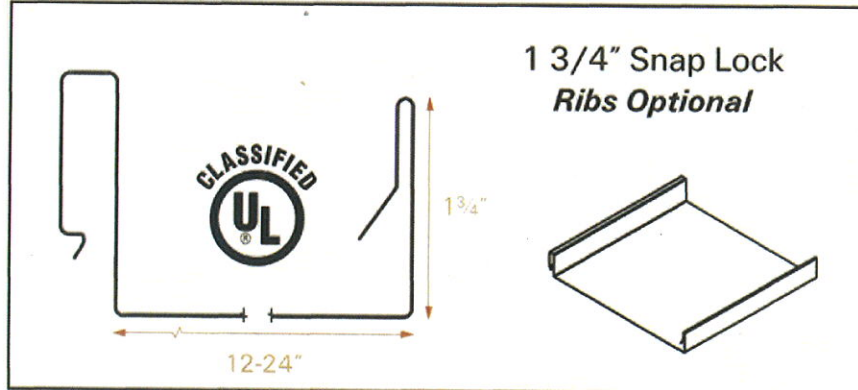
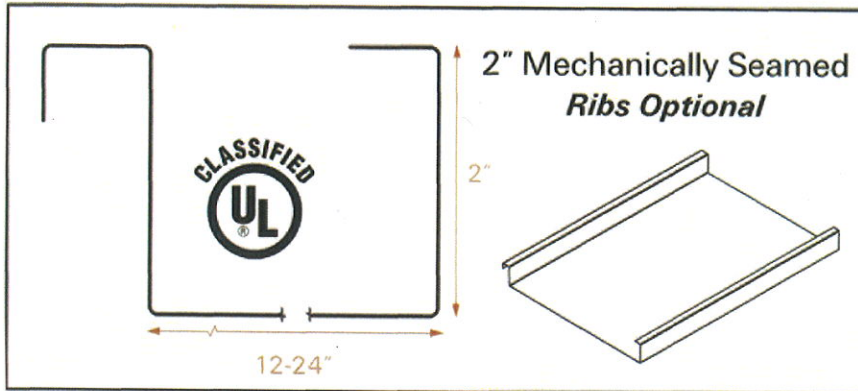


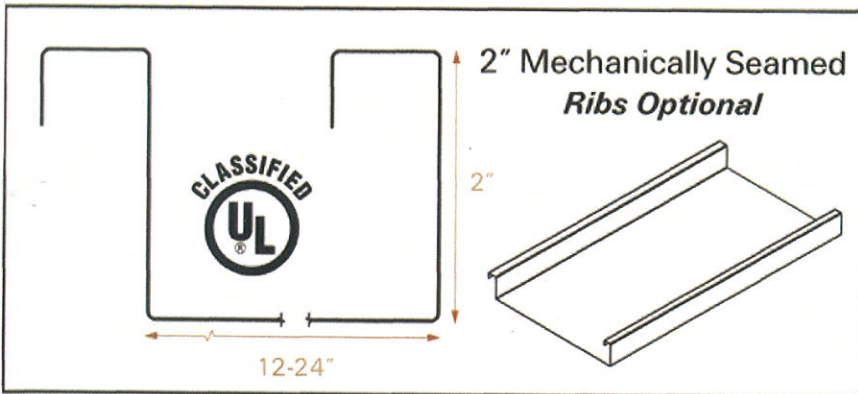
Profile SS675



Profile SS200



Profile SS210 — 45° Seam



Profile SS210 — 90° Seam

